

Model: ZEMI-IN865 ULTRASONIC WATER METER

FEATURE

- ▶ Cable interface options:
(1)M-SUB (2) RS-485 (3) Pulse Output
(4) LoRa (5) LoRaWAN
- ▶ Size : DN15 to DN40mm, (1/2"-1½")
- ▶ Accuracy : R400 / R250
- ▶ Frequency: LoRa/ LoRaWAN 865MHz, 902MHz,
868MHz, 915MHz, Customized



MAIN TECHNICAL DATA

Sr.	Items	Parameter
1.	Meter Type	Ultrasonic Water Meter
2.	Nominal Diameter (mm)	DN15~DN40
3.	Q3/Q1	DN15-DN25 R400, R250; DN32-DN40 R250
4.	Measured medium	Water, homogeneous liquid and filled with measured pipes
5.	Accuracy Class	Class 2
6.	Water pressure class	1.6MPA (16 bar)
7.	Pressure-loss class	DN15/DN20:? p40 DN25/DN32/DN40:? p63
8.	Temperature class	T50
9.	Installation Position	H/V
10.	The Installation sensitivity	U10/D5
11.	Electromagnetic Class	E1
12.	Environmental Class	B
13.	Key - Press	Magnetic induction key
14.	Type of indicating device	LCD: 8-Digits, 0~9999.9999m ³
15.	Menu Contents	Instantaneous flow (m ³ /h), cumulative flow (m ³), Screen detection, table address, cumulative working time (h), date (year/month/day), caliber, software version
16.	Communication interface	Photoelectric
17.	Power Source	Lithium Battery ER26500(replaceable)
18.	Battery Voltage & Capacity	3.6V, 8500mAh
19.	Life Span	10 years.
20.	IP code	IP68
21.	Strong Temperature	-25°C~+55°C
22.	Cable length	1.0m

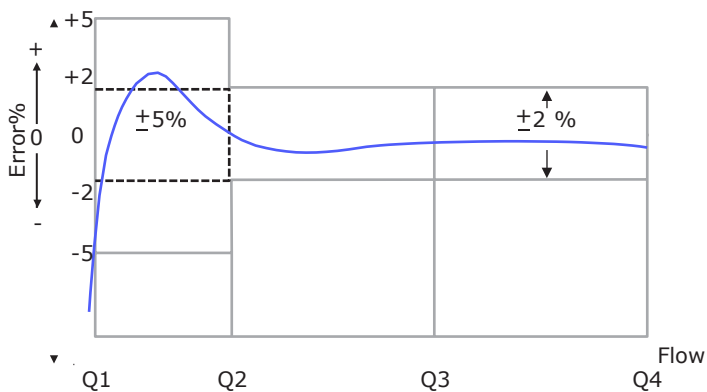
ZEMINET TECHNOLOGIES PVT. LTD.

Flow Rate :

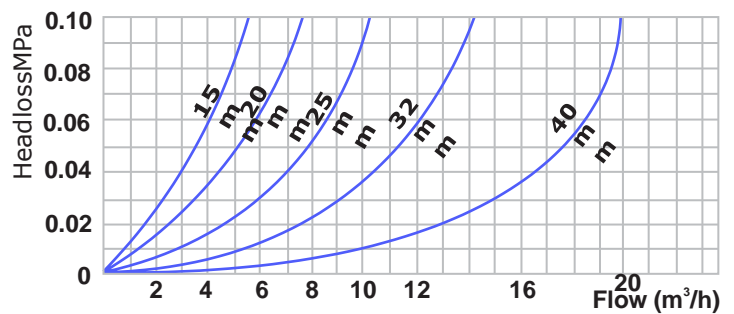
Parameter	Unit	Data Value				
Nominal Diameter		DN15	DN20	ND25	DN32	DN40
Start flow rate		0.002	0.002	0.003	0.005	0.005
Qmin (Q1)	m ³ /h	0.00625	0.01	0.01575	0.04	0.064
QTransitional (Q2)		0.01	0.016	0.0252	0.064	0.1024
Qn/permanent (Q3)		2.5	4	6.3	10	16
Qoverload (Q4)		3.125	5	7.87	12.5	20
Range			400	400	400	200
Temperature		T50	T50	T50	T50	T50
Battery Life	Year	>10	>10	>10	>10	>10



Error Curve:

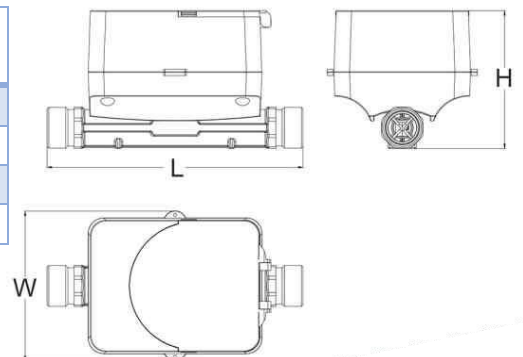


Head Loss Curve:



Dimensions:

Nominal Diameter (mm)	DN 15	DN20	DN25	DN32	DN40
Thread	G3/4B	G1B	G1¼B	G1½B	G2B
L(mm)	165	195	225	180	200
H(mm)	85	90	95	115	125
W(mm)	85	85	85	85	85



Working Condition:

Water temperature: ≤50°C for cold water meter
Water pressure: ≤16 Bar

ZEMINET TECHNOLOGIES PVT. LTD.

Regd. Office : 48-B, East Mohan Nagar, 100 Ft. Road, Amritsar.
Corp. Office : 2-C Min, Sudershan Nagar, 100 Ft. Road, Amritsar.